

- o Flat Cable Connectors SEK
- o *har-mik®*
- o D-Sub
- o InduCom

Applications



Product details

09 16 072 3001

Male insert, Han 72 DD

Series	Han DD®
Number of contacts	72 poles + PE
Size of hood/ housing	Han® 16 B
Termination	Crimp termination
Insert material	Standard material
Contacts	Order separately
Electrical data	10 A 250 V 4 kV 3
RoHS compliant	Yes

Available Downloads

Title	Format	
Data sheet	PDF	↓ download
CAD data 2D	DXF	↓ download
CAD data 3D	IGES	↓ download

Inquiry

5 4 3 2 1

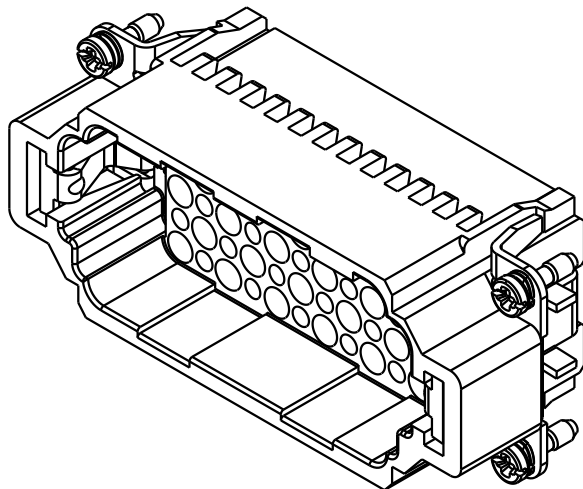
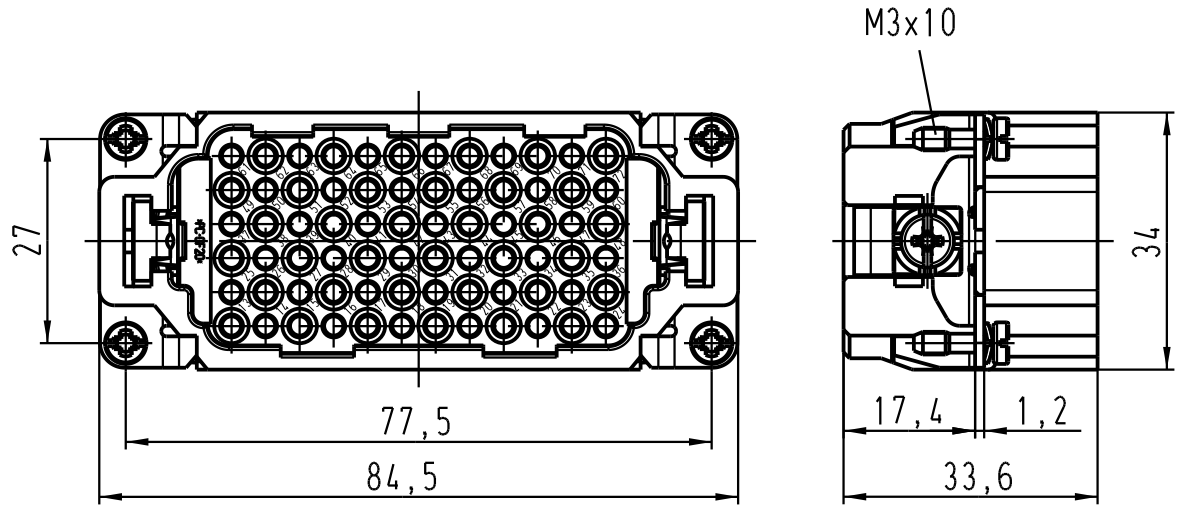
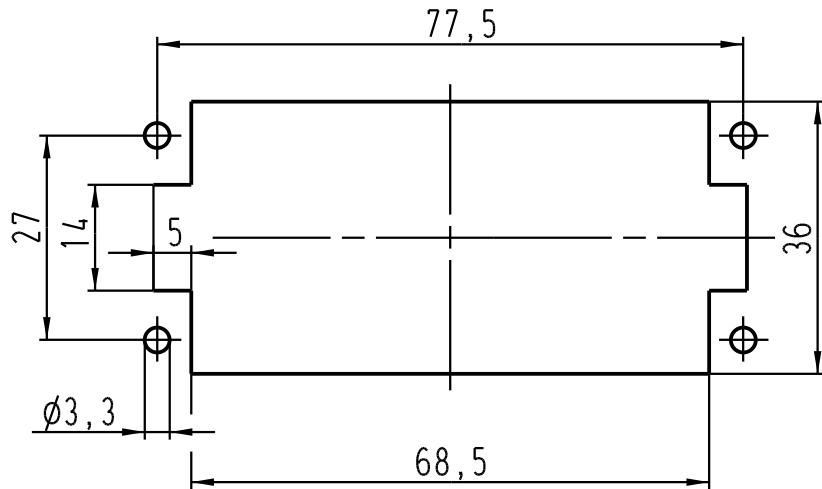
D

C

B

A

Montageausschnitt/
panel cut out



All Dimensions in mm Original Size DIN A 4		Techn. Character.			Nicht tolerierte Masse/ Free size tolerances		
			Dat.	Name	Massstab/Scale 1:1	Han 72DD-M-c Stifteinsatz / male insert	
			Detail.	24.06.03			Ho
			Insp.				KR
			Stand.				
410513			HARTING Electric GmbH & Co. KG			TB 09 16 072 3001	
Mod.	Dat.	Name	D-32339 Espelkamp				
						Sub. TB 09 16 072 3001 v. 22.03.99	
						Blatt/ page	